

EXCAVATOR PLATE COMPACTOR

Excavator Plate Compactor is a special attachment which can be attached with any excavator or Backhoe Loader. This attachment is specially designed for various applications like Canal / Dam Slope Compaction, Railway track extension and for other where sloppy surface compaction is required. This attachment is capable of reaching surfaces where normal compactors cannot reach and can-do deep compaction than an ordinary compactor.

Hydraulic Compactor can fit for Various kinds of Excavators & Skid Loaders varying from KOMATSU, CAT, HITACHI, KOTO, DOOSAN, DAEWOO, JCB, OKB, NPK, MKB, LIUGONG, XCMG, LIEBHERR, HYUNDAI, SUMITOMO, KOBELCO, YANMAR, KUBOTA, IHISCE, TAKEUCHI etc.

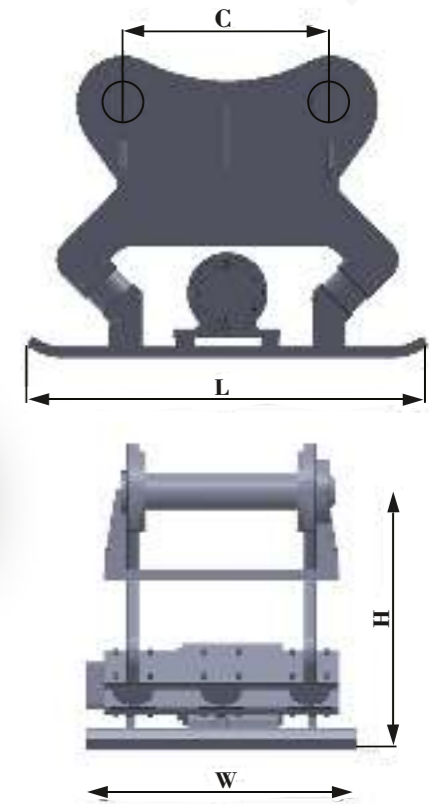
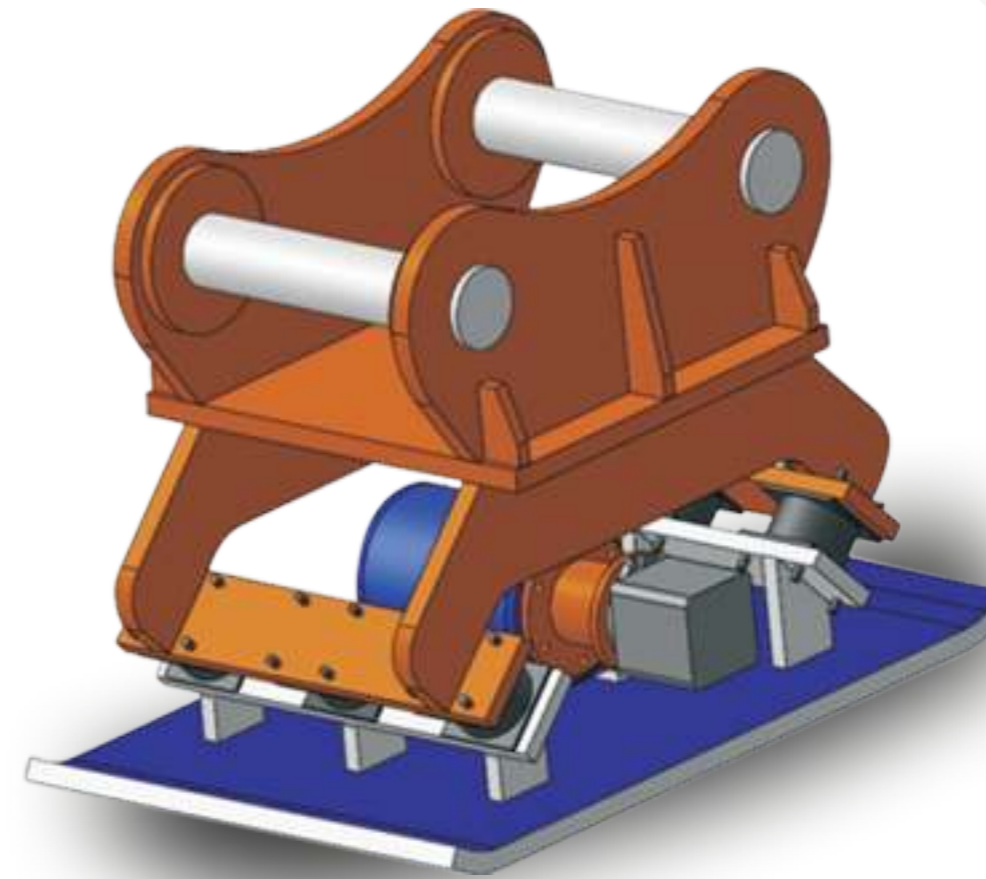
APPLICATION :

- Irrigation Canals
- Road Railways
- Trench Compaction
- Embankments
- Water Sewage

Optional Accessories Piping Kit

TECHNICAL SPECIFICATIONS:

DESCRIPTION	DIP 100	DIP 200	DIP 400
Recommended Carrier Weight	5 to 15 Tons	7 to 25 Tons	25 to 65 Tons
Operating Weight	362 kg	650 kg	1000 kg
Flow Range	49-91 LPM	49-114 LPM	91-159 LPM
Dynamic Force	2.9 Ton	5 Ton	9.5 Ton
Frequency	2000 vpm	2000 vpm	2000 vpm
Base Plate Size	600 mm x 800 mm	670 mm x 880 mm	800 mm x 1100 mm
Height	570 mm	620 mm	650 mm



	L	W	H	C
DIP 100	800	600	570	465
DIP 200	880	670	620	465
DIP 400	1100	800	650	465

Note : All Dimensions are in mm

KEY FEATURES & BENEFITS

- Compacts space where no other compactor can reach
- Easy Quick Compaction
- 3 Different models from 5 to 65 tons are available
- Oil Bath Type compaction weight chamber is filled with gear oil. Periodic greasing and oil changing interval is 365 days.
- Single hose block: All hoses are routed within the frame and connected to a mono hose block. Preventing the hoses from damage.
- Self-aligning bearing, provides a long service life to rotating components.