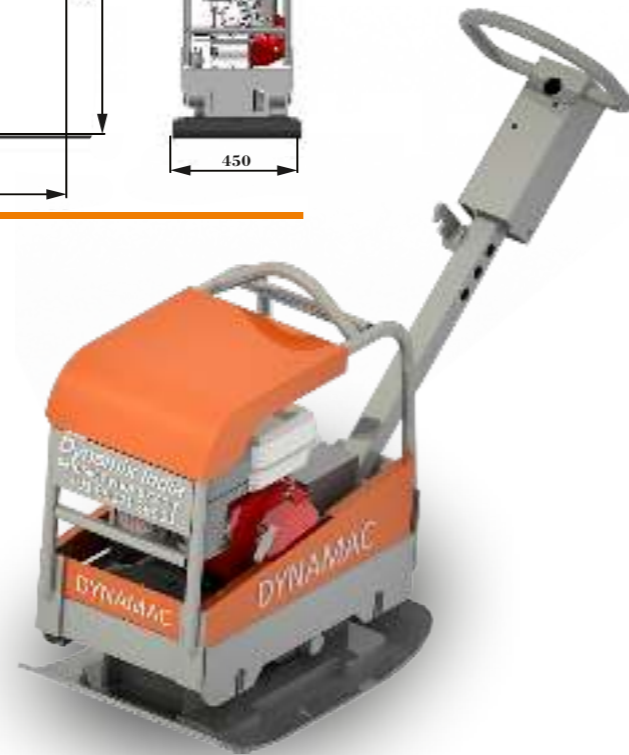
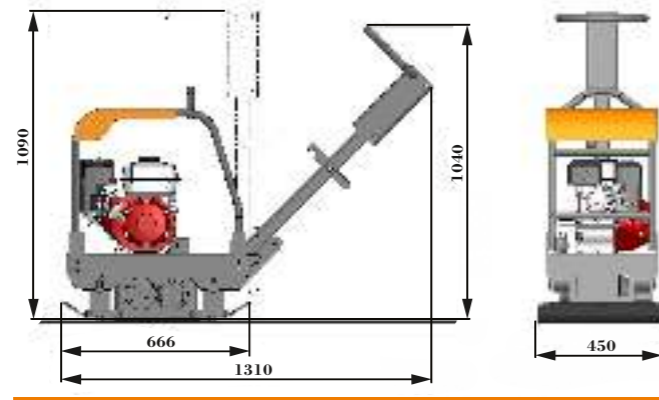


# FORWARD & REVERSIBLE PLATE COMPACTOR

Our Forward & Reversible plate compactor is of dual direction, incorporating both forward and reverse direction from the single transmission unit. The model demonstrates balanced handling in compacting soil, asphalt and paving stones and are therefore excellent in the construction of roads and paths or in landscaping, ideal when working in pipeline and cable trenches which are too narrow to turn around in.

## APPLICATION :

- Trench compaction
- Soil Compaction
- Paver Block Compaction
- Earth Works
- Road Maintenance
- Landscaping
- Bricks-Paving
- Driveway Toppings



## TECHNICAL SPECIFICATIONS :

Weight	
Net Weight	150 kg
Operating Weight	180 kg
Power Source	
Engine	Diesel
Manufacturer	Greaves / Lombardini
Engine Start	Recoil
Engine Stop	Pull Type Cable

Rated Power	3.7 kW
Fuel Tank Capacity	3.1 Liter
Battery	12 V DC, 44 AH
Fuel Efficiency	1 liter/hr

## Compaction

Operating Speed	22 m/min
Gradeability	30 %
Drive System	Fully Hydraulic
Frequency	80 Hz / 3200 RPM
Amplitude	1.4 mm
CENTRIFUGAL FORCE	28 kN

## Vibration & Sound

H/A Vibration	1.5 m/s <sup>2</sup>
Sound Power Level Guaranteed (2000/14/EC)	108 dB
Sound Pressure at Operators Ear (ISO 11201)	92 dB

## Operation

Forward & Reverse Motion	Cable Type Lever
Wall Side Compaction	Minimum Clearance
Operating Handle	Foldable with Locking Arrangement

## Transportation

Lifting	Single Centre Lifting Provision
---------	---------------------------------

## DIMENSIONS

Plate Width	450 mm
Plate Length	666 mm
Total Length	1310 mm
Total Width	450 mm
Total Height	1090 mm