

MOBILE CONCRETE PLACER

This self-propelled mobile concrete placer is the most economical & convenient solution to discharge the concrete upto desired height from the ground. It has movable boom to place concrete at the convenient position. The movement of boom is done by heavy hydraulic telescopic frames equipped with hydraulic cylinder. The main power source of the machine is a Diesel / Electrical engine. Rubber belt is driven by high speed – high torque hydraulic motor with chain drive. Conveyor structure made of square tubes, angles & plates. Standard make bearings & well proven international standard hydraulics are being used.

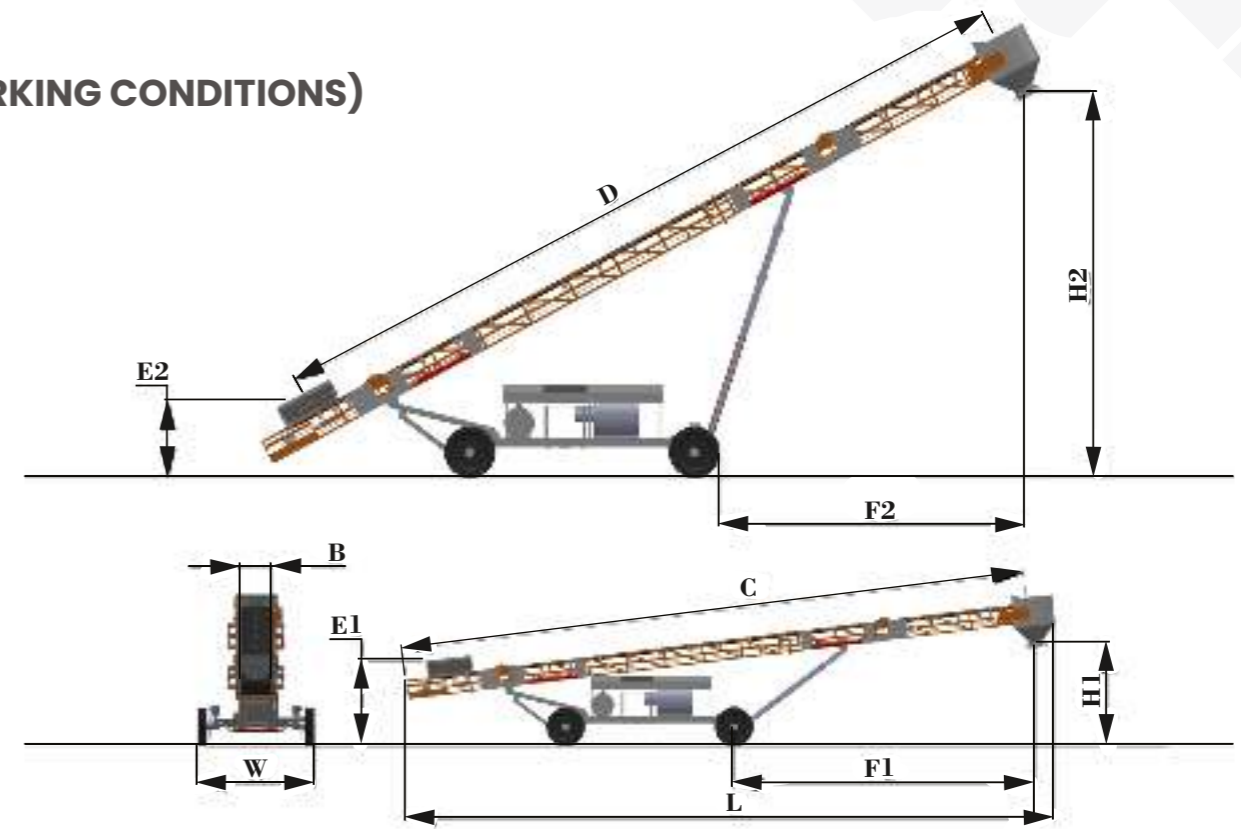
This Machine is Versatile-fully Self Propelled (Hydraulically operated) and can be used for **MASS CONCRETING / MATERIAL STACKING** Purpose.

APPLICATION :

- Bridge Concreting , Culverts
- Canal Concreting
- Retention Wall
- Dam Projects
- Pre-Casting Yards
- Material Stacking
- Wind Mill Projects
- Heighted Mould Concreting
- Trench
- Sand, Aggregates, Coal Stacking

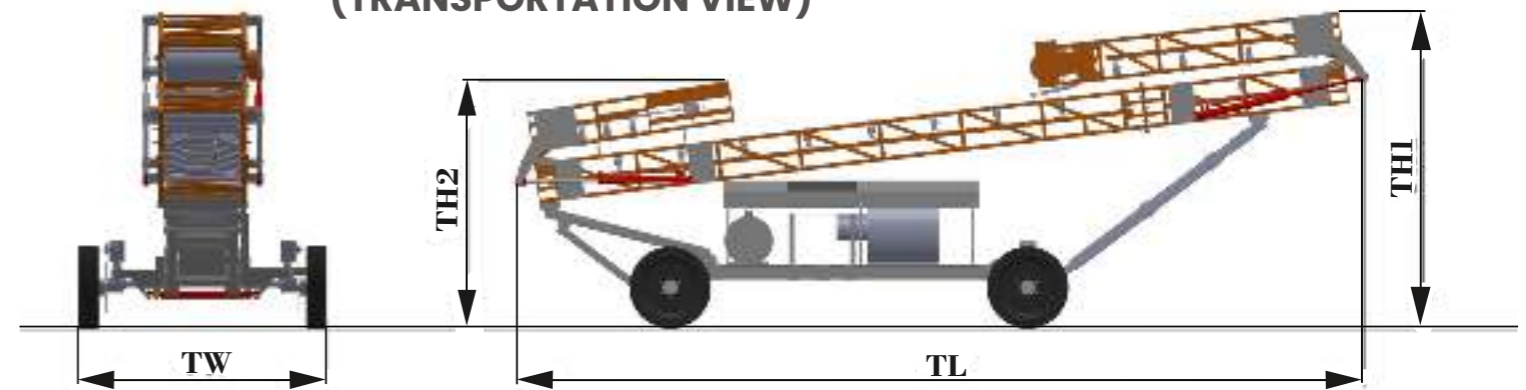


(WORKING CONDITIONS)



	E1	E2	B	C	D	L	H1	H2	F1	F2	W
DIMCP 42/650	1600	1200	650	13000	12475	13460	2100	6170	6285	4690	2440
DIMCP 48/650	1600	1200	650	14600	14075	15045	2330	7025	7370	5550	2440
DIMCP 56/650	1600	1200	650	17000	16475	17455	2400	8240	8775	6620	2440
DIMCP 66/650	1600	1200	650	10000	19475	20420	2850	9800	10240	7680	2440

(TRANSPORTATION VIEW)



	TL	TW	TH1	TH2
DIMCP 42/650	8370	2440	3120	2405
DIMCP 48/650	9170	2440	3240	2410
DIMCP 56/650	11570	2440	3370	2380
DIMCP 66/650	14540	2440	3810	2400

TECHNICAL SPECIFICATIONS:

DESCRIPTION	DIMCP 42/650	DIMCP 48/650	DIMCP 56/650	DIMCP 56/650
Out Put Capacity	50 m3	50 m3	50 m3	50 m3
Oil Tank Capacity	80 Liter	80 Liter	80 Liter	80 Liter
Diesel Tank Capacity	30 Liter	30 Liter	30 Liter	30 Liter
Inlet Hopper	0.3 m3	0.3 m3	0.3 m3	0.3 m3
Design Parameter				
Conveyor Frame: Square Tube Structure	Box Type	Box Type	Box Type	Box Type
Wheel Bogie Fabricated I Beam Structure	✓	✓	✓	✓
Travel Speed	5 km/hr	5 km/hr	5 km/hr	5 km/hr
Wheel Bogie Pneumatic Tires (7.50" X 16")	4 Nos.	4 Nos.	4 Nos.	4 Nos.
BELT WIDTH	650 MM	650 MM	650 MM	650 MM
Belt Type	Nylon Rubber	Nylon Rubber	Nylon Rubber	Nylon Rubber
Total Weight	4000 kg	4100 kg	4500 kg	5500 kg
Conveyor Boom Length	42 feet	48 feet	56 feet	66 feet

Brought-out Make List

Engine	Kirloskar / Equivalent
Hydraulic Pump	Veljan / Equivalent
Hydraulic Motor	Bondioli Pavesi (Italy) / Equivalent
Oli Cooler	TVS Lucas / Equivalent
Hose Pipe	TVS Lucas / Equivalent
Paint	Burger / Equivalent
Bearing	NTN/ TR / Equivalent

STANDARD ACCESSORIES:

- 1 Meter Long Elephant Chute (5 Nos.)
- 1 Meter "C" Chute : 01 Nos
- 1.5 Meter "C" Chute : 01 Nos
- Tool Kit.

Prime Mover

Engine: Air Cooled Diesel Engine	25 hp	25hp	25 hp	31 hp
Hydraulic: (Operation)				
Belt Drive	✓	✓	✓	✓
Travel: Forward&Reverse	✓	✓	✓	✓
Boom: Up-Down	✓	✓	✓	✓
Steering Left	✓	✓	✓	✓
Steering Right	✓	✓	✓	✓
Conveyor Frame Fold Rear	✓	✓	✓	✓
CONVEYOR FRAME FOLD FRONT	✓	✓	✓	✓
TRANSVERSE	✓	✓	✓	✓
Control Valve: Manual Lever	✓	✓	✓	✓
Battery (12 V DC)	✓	✓	✓	✓
Steering Facility: Front & Rear	✓	✓	✓	✓
Accessories				
Discharge Hopper	✓	✓	✓	✓
Elephant Chutes	✓	✓	✓	✓
Operator Seat	✓	✓	✓	✓
Rotating 'C' Chute	✓	✓	✓	✓
BELT CLEANER SPRING LOADED CLEANING BLADE	✓	✓	✓	✓
Engine Canopy	✓	✓	✓	✓
Paint: Epoxy	✓	✓	✓	✓

KEY FEATURES:

- Fully Hydraulic
- Built-In Oil Cooler for Increased Lifetime of Vital Components
- Front & Rear Frame Folding System for Easy Transportation
- Better Stability in Utmost Position
- Powerful Engine for Reliable Operations