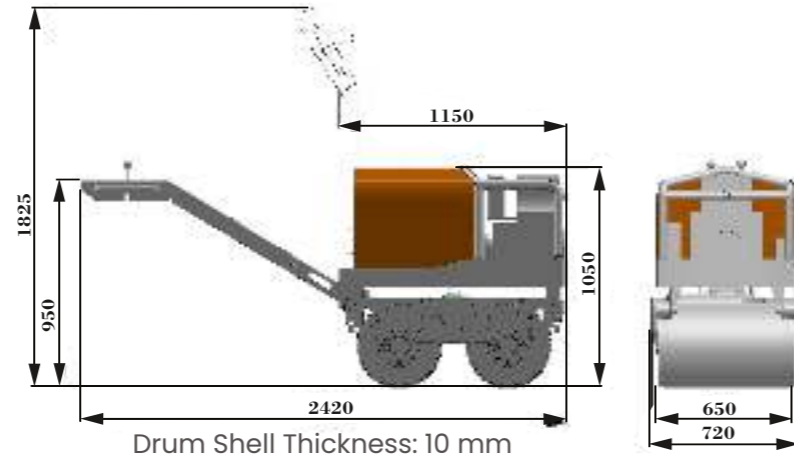


# WALK BEHIND VIBRATING ROLLER

The DIG-6500 & DIV-6500 are a duplex vibrating roller, ideal for compacting soil & asphalt. The machine is fully hydraulic which allows a small overhang enabling the roller to run close to obstructions i.e. walls. It is equipped with a water sprinkling, operating handle and hydraulic levers. The machine would be supplied with an electric starter as well as rope starter.

## APPLICATION :

- Construction and repairing of roads
- Pavements
- Compaction canals
- Road Widening Works
- Gardening
- Embankments
- Private roads
- Hilly terrains with sharp bends
- Culverts
- Edges of highways
- Parking lots
- Internal Roads in Housing on Soil
- Playgrounds
- Granular and Asphalt etc



## TECHNICAL SPECIFICATIONS :

	DIV - 6500	DIG - 6500
<b>Weight</b>		
Net Weight	715 kg	715 kg
Operating Weight	760 kg	760 kg

## POWER SOURCE

Engine	Diesel /4-stroke /Single Cylinder	Diesel /4-stroke /Single Cylinder
Manufacturer	Greaves / Equivalent	Greaves / Equivalent
Engine Start	Ignition Key with Electric Start	Ignition Key with Electric Start
Engine Stop	Pull Type Cable	Pull Type Cable
Output kw (hp)/rpm	7.5(10)/3000	7.5(10)/3000
Fuel Tank Capacity	5.5 Liter	5.5 Liter
Battery	12 V DC, 44 AH	12 V DC, 44 AH

## HYDRAULIC SYSTEM

Traction	Hydraulic Motor & Gearbox	Hydraulic Motor & Gearbox
Vibration	Hydraulic Motor	Hydraulic Motor
Primary Pump	Variable Displacement Pump	Gear Pump

## COMPACTION

Static Linear Load	5.2 kg/cm	5.2 kg/cm
No. of Speed (Forward & Reverse)	2-speed	2-speed
Operating Speed (Forward & Reverse)	(0 to 5 kmph) - Variable	(0 to 5 kmph)
Gradeability	35 %	35 %
Drive System	Fully Hydraulic	Fully Hydraulic
Frequency	61 Hz / 3660 RPM	61 Hz / 3660 RPM
Amplitude (Dual Drum)	0.45 mm	0.45 mm
Centrifugal Force	25 kN	25 kN

## OPERATION

Forward & Reverse Motion	Cable Type Lever	Cable Type Lever
Vibration	Cable Type Lever	Cable Type Lever
Wall Side Compaction	50 mm Clearance	50 mm Clearance
Operating Handle	Foldable with Locking Arrangement	Foldable with Locking Arrangement
Water Sprinkler	By Gravity (Both Drum)	By Gravity (Both Drum)

## BRAKE

Service Bralce	Hydrostatic
Parking Brake	Hydrostatic